

**LOAD CHART MXC1090-
MODEL: MAC 25 FULL POWER BOOM**

SPECIFICATIONS :

APPLICABLE STANDARDS : AS 1418.1, AS1418.5
CRANE CLASSIFICATION : C3

DETACHABLE COUNTERWEIGHT : 1500 KG
- TO BE FRONT MOUNTED FOR ROAD TRAVEL
- FRANNA PART NO. PLMXF2009B

CONDITIONS :
FRONT SPRING LOCKOUTS TO BE ENGAGED FOR ALL
LIFTING AND PICK AND CARRY OPERATIONS

WINCH ROPE :
DIAMETER : 14mm
CONST : COMPAK 35W x 7 NR 2070 MPa
MIN. BREAKING FORCE 165 kN
MACHINE SPLICE & THIMBLE EYE
ONE END ONLY, LENGTH 110m

RETRACT ROPE :
DIAMETER : 11mm
CONST : 6 x 25 WRC G2070
MIN. BREAKING FORCE 82.4 kN

EXTENSION CHAIN :
TYPE : BL1066 LEAF CHAIN
MIN. BREAKING FORCE 43 200 KGF

TYRES :
FRONT : 1400 - 20 20 PLY INFLATED TO 120 PSI
REAR : 1400 - 20 20 PLY INFLATED TO 90 PSI

**LOAD CHART MXC1090-
 MODEL: MAC 25 FULL POWER BOOM**

LIST OF DUTIES :

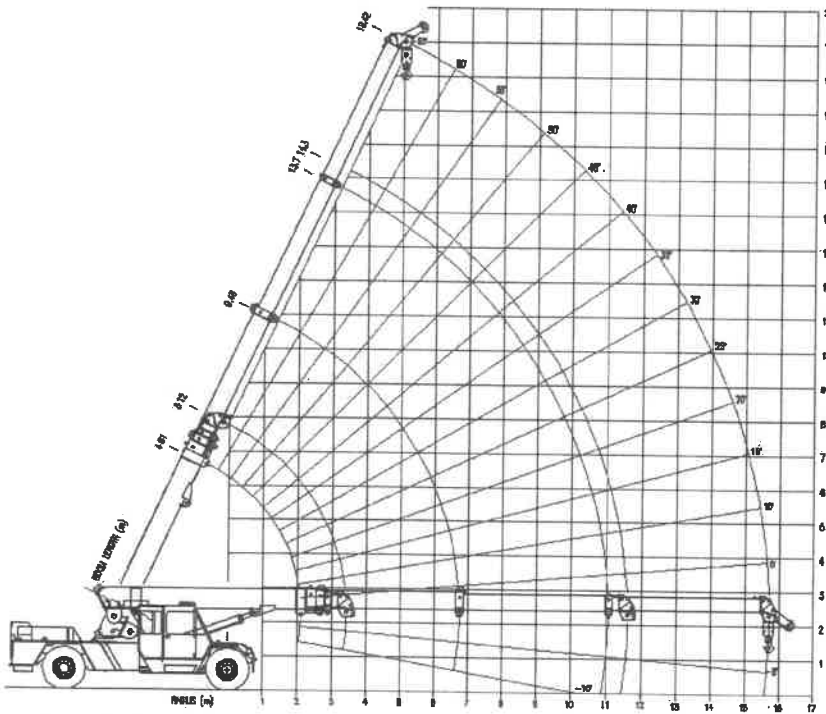
COUNTERWEIGHT ON FRONT

- 01 FALL BLOCK
- 02 RHINO HOOK
- 03 OFFSET HEAD - BOTTOM POSITION
- 04 OFFSET HEAD - TOP POSITION
- 05 FLYJIB - BOTTOM POSITION
- 06 FLYJIB - TOP POSITION
- 07 MAN BASKET
- 08 BUTT LUG
- 09 LUG 1 - BOOM 1
- 10 LUG 2 - BOOM 2

COUNTERWEIGHT ON REAR

- 11 FALL BLOCK
- 12 RHINO HOOK
- 13 OFFSET HEAD - BOTTOM POSITION
- 14 OFFSET HEAD - TOP POSITION
- 15 FLYJIB - BOTTOM POSITION
- 16 FLYJIB - TOP POSITION
- 17 MAN BASKET
- 18 BUTT LUG
- 19 LUG 1 - BOOM 1
- 20 LUG 2 - BOOM 2

EQUIPMENT	WEIGHT (KG)
FALL BLOCK	180
25 t HOOK	20
6.3 t HOOK	10
PEAR BLOCK	30
RHINO HOOK	25



2/38 MXC1090-

MAC-25 FALL BLOCK LOAD CHART - 10 DEG. ART.

COUNTERWEIGHT ON FRONT OF CRANE - SPRING LOCKOUTS ENGAGED

S.W.L IN KILOGRAMS FOR SLEW ANGLES OF 10 DEGREES OR LESS EITHER SIDE OF STRAIGHT AHEAD (INDICATED BY GREEN LED ON DASH).

BOOM ANGLE - UNDEFLECTED (REF.)

NOTE: VALUES IN BRACKETS () ARE ACTUAL RADIUS AT ZERO DEG. BOOM ANGLE.

ROBWAY DUTY **01**

S.W.L. ARE BASED ON 66.7% STABILITY & STRENGTH

- S.W.L. ABOVE BOLD RED LINE ARE STRUCTURAL

S.W.L. ARE BASED ON FIRM LEVEL GROUND WITH TYRES INFLATED AS PER NOTES LIFT & CARRY - THE S.W.L. SHALL BE CARRIED WITH THE MINIMUM BOOM LENGTH & AS CLOSE TO THE GROUND AS POSSIBLE AT SPEEDS NOT IN EXCESS OF 0.4 M/SEC

Radius in Metres	BOOM PIVOT TO HEAD SHEAVES - THIRD BOOM RETRACTED (metres)														THIRD BOOM EXTENDING (metres)												
	6.12	6.50	7.00	7.50	8.00	8.50	9.00	9.50	10.00	10.50	11.00	11.50	12.00	12.50	13.00	13.50	14.32	14.50	15.00	15.50	16.00	16.50	17.00	17.50	18.00	18.42	
1.4	23900	23850	23750	23800	23800	23750	23750	23750																			
	48	51	54	57	59	61	63	65																			
2.0	19950	19900	19850	19800	19750	19750	19700	19650	19650	19600	19300																
	40	44	48	51	54	57	59	61	62	64	65																
2.5	15700	15650	15600	15600	15550	15500	15500	15450	15450	15400	15400	15350	14600														
	32	37	42	46	50	52	55	57	59	61	62	63	65														
3.0	12800	12800	12800	12750	12700	12700	12650	12650	12600	12600	12550	12550	12550	12500	12500	12250											
	21	29	35	41	45	48	51	53	55	57	59	61	62	63	64	65											
3.5	11050	10750	10750	10750	10700	10700	10650	10650	10600	10600	10550	10550	10550	10500	10500	10500	10500										
	(3.4)	17	28	34	39	43	47	49	52	54	58	58	59	61	62	63	65	65									
4.0	9750	9200	9200	9200	9150	9150	9150	9100	9100	9100	9050	9050	9050	9050	9000	9000	9000	9050	9100								
	(3.8)	17	27	33	38	42	45	48	51	53	55	56	58	59	61	62	63	64	65								
5.0		8450	7400	7050	7050	7050	7050	7000	7000	7000	6950	6950	6950	6950	6900	6900	6900	6900	7000	7050	7100	7100	7150	7200			
		(4.3)	(4.8)	16	25	31	36	40	43	46	48	50	52	54	56	58	58	59	61	62	63	63	64	65			
6.0				6550	5850	5600	5600	5600	5600	5550	5550	5550	5550	5500	5500	5500	5500	5550	5600	5650	5700	5700	5750	5750	5800		
				(5.3)	(5.6)	15	24	30	34	38	41	44	46	48	50	53	53	55	56	57	58	60	61	61	62		
7.0					5250	4750	4550	4550	4550	4550	4550	4550	4500	4500	4500	4500	4500	4550	4600	4650	4650	4700	4750	4750	4800		
					(6.3)	(6.8)	14	23	28	33	36	39	42	44	48	48	48	50	52	53	54	56	57	58	59		
8.0							4300	3900	3800	3800	3800	3800	3750	3750	3750	3750	3750	3800	3850	3900	3950	3950	4000	4000	4050		
							(7.3)	(7.8)	14	22	27	31	35	38	42	43	45	47	48	50	51	53	54	55			
9.0									3600	3300	3200	3200	3200	3200	3150	3200	3250	3250	3300	3350	3350	3400	3400	3450			
									(8.3)	(8.8)	13	21	26	30	35	36	39	41	43	45	47	48	50	51			
10											3000	2800	2700	2700	2700	2700	2750	2800	2850	2850	2900	2900	2950	2950			
											(9.3)	(9.8)	12	20	28	29	32	35	38	40	42	44	45	47			
11																	2550	2350	2300	2350	2400	2450	2450	2500	2550	2600	
																	(10.3)	(10.8)	17	19	24	28	31	34	37	41	42
12																		2100	2050	2050	2100	2100	2150	2200	2250	2250	
																		(11.6)	(11.8)	12	19	23	27	30	33	36	37
13																			1950	1850	1850	1850	1900	1950	1950	2000	
																			(12.3)	(12.8)	11	18	23	27	30	32	
14																				1750	1650	1650	1700	1700	1750		
																				(13.3)	(13.8)	11	18	22	25		
15																					1800	1500	1500	1550			
																					(14.3)	(14.8)	11	16			
15.71																									1450	1400	
																									(15.3)	(15.7)	

NOTE: WEIGHT OF HOOKS, BLOCKS & OTHER LOAD HANDLING DEVICES SHALL BE ADDED TO THE WEIGHT OF THE LOAD

MAC-25 FALL BLOCK LOAD CHART - 10 DEG. ART.

COUNTERWEIGHT ON REAR OF CRANE - SPRING LOCKOUTS ENGAGED

S.W.L. IN KILOGRAMS FOR SLEW ANGLES OF 10 DEGREES OR LESS EITHER SIDE OF STRAIGHT AHEAD (INDICATED BY GREEN LED ON DASH).
 BOOM ANGLE - UNDEFLECTED (REF.)
 NOTE: VALUES IN BRACKETS () ARE ACTUAL RADIUS AT ZERO DEG. BOOM ANGLE.

ROBWAY DUTY 11

S.W.L. ARE BASED ON 66.7% STABILITY & STRENGTH
 - S.W.L. ABOVE BOLD RED LINE ARE STRUCTURAL
 S.W.L. ARE BASED ON FIRM LEVEL GROUND WITH TYRES INFLATED AS PER NOTES
 LIFT & CARRY - THE S.W.L. SHALL BE CARRIED WITH THE MINIMUM BOOM LENGTH & AS CLOSE TO THE GROUND AS POSSIBLE AT SPEEDS NOT IN EXCESS OF 0.4 M/SEC

Radius in Metres	BOOM PIVOT TO HEAD SHEAVES - THIRD BOOM RETRACTED (metres)														THIRD BOOM EXTENDING (metres)											
	6.12	6.50	7.00	7.50	8.00	8.50	9.00	9.50	10.00	10.50	11.00	11.50	12.00	12.50	13.00	13.50	14.32	14.50	15.00	15.50	16.00	16.50	17.00	17.50	18.00	18.42
1.4	25000	25000	25000	25000	25000	25000	25000	25000																		
2.0	48	51	54	57	59	61	63	65																		
2.5	23000	22950	22850	22950	22900	22850	22850	22800	22800	22150	19300															
3.0	40	44	48	51	54	57	59	61	62	64	65															
3.5	18200	18150	18150	18100	18050	18000	18000	17950	17950	17900	17750	15550	14600													
4.0	32	37	42	46	50	52	55	57	59	61	62	63	65													
4.5	14900	14900	14900	14850	14800	14800	14750	14750	14700	14700	14700	14350	13500	13000	12600	12250										
5.0	21	29	35	41	45	48	51	53	55	57	59	61	62	63	64	65										
5.5	12900	12550	12550	12500	12500	12500	12450	12450	12400	12400	12400	12350	12350	12150	11750	11400	10850	10750								
6.0	(3.4)	17	28	34	39	43	47	49	52	54	56	58	59	61	62	63	65	65								
6.5	11450	10800	10750	10750	10750	10700	10700	10700	10650	10650	10650	10600	10600	10600	10600	10600	10100	10050	9850	9650						
7.0	(3.8)	17	27	33	38	42	45	48	51	53	55	56	58	59	61	62	63	64	65							
7.5			9900	8700	8300	8300	8300	8250	8250	8250	8200	8200	8200	8200	8200	8150	8200	8200	8250	8300	8250	8150	8000	7900		
8.0			(4.3)	(4.8)	16	25	31	36	40	43	46	48	50	52	54	56	58	58	59	61	62	63	63	64	65	
8.5					7700	6900	6650	6650	6650	6600	6600	6600	6600	6600	6600	6550	6550	6600	6650	6700	6750	6800	6800	6800	6850	
9.0					(5.3)	(5.8)	15	24	30	34	38	41	44	46	48	50	53	53	55	56	57	58	60	61	61	
9.5							6250	5850	5450	5450	5450	5450	5450	5400	5400	5400	5400	5500	5550	5600	5650	5650	5650	5700	5700	
10.0							(6.3)	(6.8)	14	23	28	33	36	39	42	44	48	48	50	52	53	54	56	57	58	
10.5									5150	4700	4550	4550	4550	4550	4550	4550	4550	4600	4650	4650	4700	4750	4750	4800	4800	
11.0								(7.3)	(7.8)	13	22	27	31	35	38	42	43	45	47	48	50	51	53	54	55	
11.5										4350	4000	3900	3900	3900	3900	3850	3900	3900	3950	4000	4050	4100	4100	4150	4150	
12.0										(8.3)	(8.8)	13	21	26	30	35	36	39	41	43	45	47	48	50	51	
12.5												3700	3400	3350	3350	3350	3350	3400	3450	3500	3500	3550	3550	3600	3600	
13.0												(9.3)	(9.8)	12	20	28	29	32	35	38	40	42	44	45	47	
13.5														3200	2950	2900	2900	2950	3000	3000	3050	3050	3100	3150	3150	
14.0														(10.3)	(10.8)	17	19	24	28	31	34	37	39	41	42	
14.5																2650	2600	2550	2600	2650	2700	2750	2750	2800	2800	
15.0																(11.6)	(11.8)	12	19	23	27	30	33	36	37	
15.5																		2450	2350	2300	2350	2400	2400	2450	2450	
16.0																		(12.3)	(12.8)	11	18	23	27	30	32	
16.5																				2200	2100	2100	2150	2150	2200	
17.0																			(13.3)	(13.8)	11	18	22	25	25	
17.5																					2050	1950	1950	1950	1950	
18.0																					(14.3)	(14.8)	10	16	16	
18.5																							1850	1800	1800	
19.0																							(15.3)	(15.7)	15	

NOTE: WEIGHT OF HOOKS, BLOCKS & OTHER LOAD HANDLING DEVICES SHALL BE ADDED TO THE WEIGHT OF THE LOAD